

combiloop CL2 E

CONTINUOUS USE OF UP TO 100 BAR – UNDER THE BAR FEEDER
置于棒料给料器下方, 最高 100 BAR 下连续工作



Thanks to the intelligent arrangement of its components, the combiloop CL2E is a particularly space saving solution that can be fitted under a wide range of bar feeders. The fine filtration inside this visually appealing system is based on protected contaminant pre-separation in the 3-chamber tank with easily accessible, washable wire mesh elements, and pressures up to 100 bar are delivered by a constant pump.

借助其组件的巧妙排列, combiloop CL2E 是特别节省空间的一款设备, 可安装在多种棒料给料器下方, 这种视觉上极具吸引力的系统化设备内部的精细化过滤是基于 3 室箱中初步污染物分离, 简单易换, 可清洗的过滤网以及最高达 100 bar 压力的高压泵实现的。

Technical data // 技术数据

Equipment	// Approx. 810 x 680 x 565 mm (L x W x H), weight approx. 230 kg // 100 bar, high-pressure pump as constant pump (robust gear pump), 3-chamber tank system with pre-separation, 50 l clean liquid tank, electronic control // Power supply 3~ / PE 400 V / 50 Hz
Flow rate	9 / 12 / 16 / 20 / 24 l/min
Pressure	Progressive up to 70 / 100 bar
Filter	// 150-µm-pre-filter // Exchangeable filter, mesh washable // Twin coupling filter, mesh washable
Filter fineness	40 µm, 60 µm
Operation	// Cutting oil // Water emulsion (min. 8% oil content)
Service connections	Up to 8 controllable service connections

设备	// 大约 810 x 680 x 565 mm (长 x 宽 x 高), 重量大约 230 kg // 100 bar, 恒定压力的高压泵 (高性能的齿轮泵), 带预分离的 3 室箱, 50 l 洁净液体箱, 电子控件 // 电源 3~ / PE 400 V / 50 Hz
流速	9 / 12 / 16 / 20 / 24 l/min
压力	最高渐进至 70 / 100 bar
过滤器	// 150-µm-预过滤器 // 可替换过滤器, 可清洗网过滤网 // 双耦合过滤器, 可清洗网过滤网
过滤精度	40 µm, 60 µm
工作	// 切削油 // 切削液 (至少含 8% 乳化液)
服务接口	最多 8 个可控制的服务接口

Benefits

- // Significant increase in the fine filter service life thanks to 3-chamber tank system. Chamber 1 serves for the pre-separation, in chamber 2 the medium settles down and via an overflow device it flows into the third chamber.
- // Aluminium and stainless steel can be easily machined at pressures from 70 to 100 bar. Deep holes can be drilled to 5 mm in a single operation.

优势

- // 借助 3 室箱系统, 明显提升精细过滤器使用寿命。室 1 用于预分离, 在室 2 中介质落定, 并且 通过溢流设备流入第三室。
- // 可在 70 至 100 bar 压力下便捷加工铝和不锈钢。在单次操作中可钻出最深 5 mm 的深孔。

combiloop CL2 E

CONTINUOUS USE OF UP TO 100 BAR – UNDER THE BAR FEEDER
置于棒料给料器下方, 最高 100 BAR 下连续工作

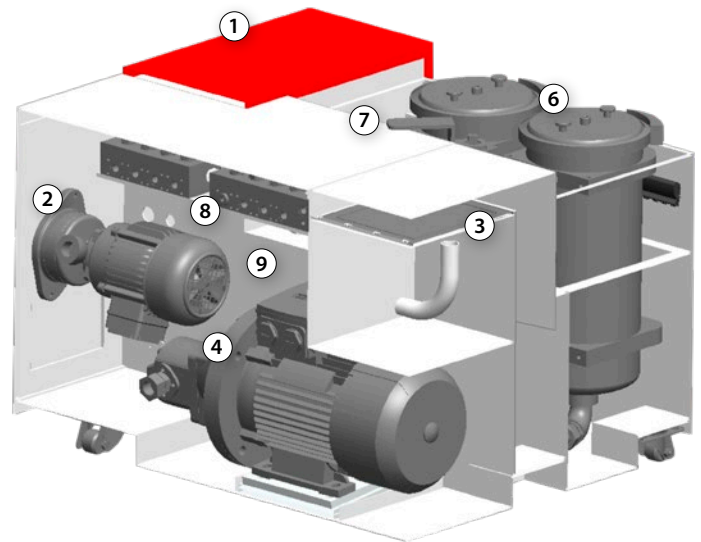
Function // 功能

- // High pressure: up to 100 bar
- // Flow rate: up to 24 l/min
- // 高压: 最高 100 bar
- // 流速: 最高 24 l/min



Experience one core-innovation behind our compactness – our ingenious filtration!

体验我们紧凑性背后的核心创新 – 我们独创性的过滤!



- 1 // Wheeled high-pressure unit in an aesthetic design with 3-chamber tank system of 50 liter capacity
- 2 // Transfer pump
- 3 // Pre-separation chamber (150 µm) with access opening
- 4 // Motor and high-pressure pump (gear)
- 5 // Control valve with pressure gauge for smooth adjustment of the operating pressure (not visible)
- 6 // Fine filter as exchangeable filter (optional twin coupling filter)
- 7 // Change lever for twin filter
- 8 // Manifold with controllable service connections (option)
- 9 // Electronic control (option, not visible)

- 1 // 采用美观设计的带轮高压装置, 具有 50 升容量的 3 室箱系统
- 2 // 输送泵
- 3 // 带检修开口的预分离室 (150 µm)
- 4 // 电机和高压泵 (齿轮)
- 5 // 带压力表的控制阀, 可平稳调节工作压力 (不可见)
- 6 // 可替换式精细过滤器 (选配双耦合过滤器)
- 7 // 更改双过滤器的控制杆
- 8 // 多种可控服务接口 (可选)
- 9 // 电子控件 (选件, 不可见)

Fields of application:

Breaking chips early, flushing the spindle, deep hole drilling of up to 2.5 mm and 10xD at 70 bar and up to 1.6 mm and 20xD at 100 bar at the use of gun drills.

应用领域:

更早折断切屑、主轴冲洗、使用枪钻在 70 bar 下钻出最深 2.5 mm 和 10xD 深孔、在 100 bar 下钻出最深 1.6 mm 和 20xD 深孔。

Your notes: // 您的注释:

M-Tech Machinery (Kunshan) Co., Ltd.
German Industrial Park II
No. 329, Jujin Road, Zhangpu Town
215321 Kunshan
P.R. China

M-Tech Machinery (Kunshan) Co., Ltd.
中国江苏
昆山市张浦镇
俱进路 329 号
德国工业园 II, 215321

